

USB ELECTRIC POWER SUPPLY

No. 1/1

CODE	80-757-13200
APPLICATION	DAX 125 (JB04)

● Thank you for purchasing Kitaco product. Read and understand the instruction before installing.

ATTENTION (MUST READ)

- Please ask authorized mechanic for assembling and setting. Ask a specialist at specialty shop if you do not understand the role of the surrounding parts.
- This product is precision equipment, do not apply excessive force, it might cause of trouble. Do not modify the way which is not listed or it will cause damage and trouble.
- We are not responsible for violation of law or damages and accidents caused by assembling mistake and improper setting.
- Refer to the manufacturer service manual when installation.
- Bolts and nuts may get loosen by engine vibration, Make sure not to loosen any bolts and nuts before driving.

ATTENTION (MUST READ)

▼OPERATING ENVIRONMENT (We are not responsible for out of the environment below.)
This product is made exclusive for DC 12V battery vehicle. This does not operate for battery less vehicle. The lighting is a little bit darker when voltage is lower with 12V vehicle. If the battery is weak, it might over voltage by high rpm and cause of breakdown. Be careful of it.

- Avoid installing and wire near the hard noise source, it might cause of trouble and break.
- This product works correctly under electrical system is genuine situation. We cannot guarantee under other special product is installed. (spark plug, plug cap, high tension code, ignition coil, HID, music product, etc.)

▼HOW TO TAKE CARE

- Check the maximum power before using, if over powered, it might cause of trouble and break of vehicle electrical system.
- Avoid using under rain and washing. Avoid to parking under the rain.
- Please wear attached rubber cap when not in use. (This is not perfectly waterproof. If water splash intensively to this product, water might enter. Be careful of it.)
- This product is precision equipment, if installing to vibration spot, this cannot bring out the full potential, in the worst case, it might break. Please install with anti-vibration, etc to avoid vibration, if mounting to near the engine, it might malfunction because of vibration and heat. These are not covered by warranty. Be careful of it.
- We are not responsible for directly or indirectly breaking and losing data while using this product.
- When install/remove this product, turn the power off of both product.
- This product might not work depending on connected equipment and its situation.
- This product is not disassemble type. Do not disassemble. It might cause of trouble and break.

SPECIFICATION

INTERFACE	USB	TYPE A x 2
INPUT VOLTAGE	DC12V	
OUTPUT VOLTAGE	DC5V	
OUTPUT CURRENT	MAX 2000mA	In case only using 1 port.
FIXING METHOD	○ Body mounting (stay attached)	
OTHER	○ Drip-proof (when using attached rubber cap / not perfectly water proof) ○ Built in LED (BLUE) ※ Condensation occurs inside the main body (rubber cap) because of changing temperature, etc. Please avoid hard changing temperature place (around engine), and remove water frequently. (Remove water by air duster, vacuum, etc.) It might cause of trouble.	

PACKING LIST			
FIGURE	NAME	CODE	QTY
1	USB PORT (POWER SUPPLY)	757-1300001	x1
2	STAY DAX125	757-1320002	x1
3	POWER SUPPLY HARNESS H type-4	756-9000130	x1
-	MS TIE 100x2.5	700-9200100	x2

HOW TO INSTALL

- 1) Refer to the illustration [1] below, remove the genuine parts.
 - 2) After assembling USB port, install to vehicle as illustration [2] below.
 - 3) After checking power supply illustration, take USB power supply.
 - 4) Install vehicle parts in the reverse order to removal.
- ※ Prevent from biting harness.

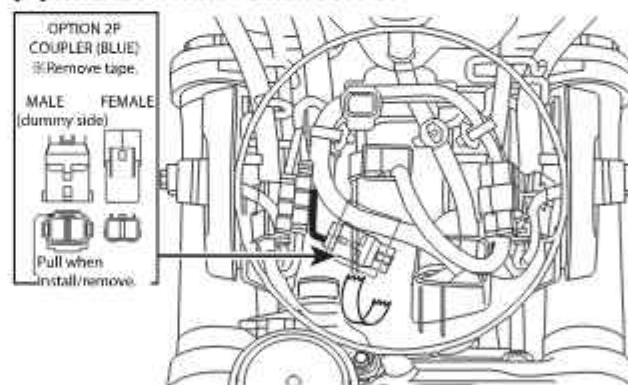
[1] INSTALLING / REMOVING HEAD LIGHT



[2] INSTALLING USB PORT



[3] WHERE TO TAKE POWER SUPPLY



ATTENTION TO HARNESS WIRING!

Be careful of breaking the wire because of sanded by cover, parts, etc. Also, do not disturb handling. Fix with attached tie wrap.

WIRING ILLUSTRATION

